

Raised Bed Kits



Photo may show a different but similar model.

YOU MUST READ THIS DOCUMENT BEFORE YOU ASSEMBLE THE RAISED BED KIT.

Thank you for purchasing this ClearSpan™ Raised Bed Kit. These instructions include helpful hints and important information needed to safely assemble and properly maintain the raised bed. Please read these instructions *before* you begin.


SAFETY PRECAUTIONS

- Wear eye protection.
- Use a portable GFCI when working with power tools and cords. (Using battery-powered hand tools is recommended.)
- Do not climb on the raised bed frame during or after construction.

SITE

After choosing a location, proper preparation of the site is essential. The following site characteristics are recommended:

- For best results, assemble on a level site. Set the side boards of the raised bed into the grade as needed to keep the assembled bed level.
- Drainage: To prevent erosion, position the raised bed away from buildings or other structures that may direct water to drain toward and around the bed.

 **WARNING:** For safety reasons, those who are not familiar with recognized construction methods and techniques must seek the help of a qualified contractor.

REQUIRED TOOLS

The following list identifies the main tools and items needed to assemble the raised bed kit. *Additional tools may be needed depending on location and application.*

- Saw to cut plastic lumber
- Variable speed drill (cordless with extra batteries works best) or a Phillips screwdriver
- Hammer, gloves, shovels and tape measure
- Square and additional hand tools as needed
- String line and wood stakes (for beds > 16')

UNPACK AND IDENTIFY PARTS

The following steps will ensure that you have all the necessary parts **before** you begin to assemble the raised bed kit.

1. Unpack the contents of the box or boxes and place them where you can easily inventory the shipment. Refer to the Bill of Materials/Spec Sheets.
2. Verify that all parts listed on the Bill of Materials/Spec Sheets are present. If you have questions or if parts are missing, contact customer service.

CARE AND MAINTENANCE

Proper care and maintenance of your raised bed is important. The following items identify areas that must be periodically checked to ensure that your raised bed is properly maintained:

- Check all fasteners to verify that they remain tight.
- Verify that all connections and fittings are secure and in good condition. Tighten or replace if necessary.
- Do not climb or stand on the bed frame at anytime.
- If the raised bed is moved, inspect all parts and connections *before* reassembling.
- Replace broken or damaged parts immediately.
- For replacement or missing parts, call 1-800-245-9881 for assistance.

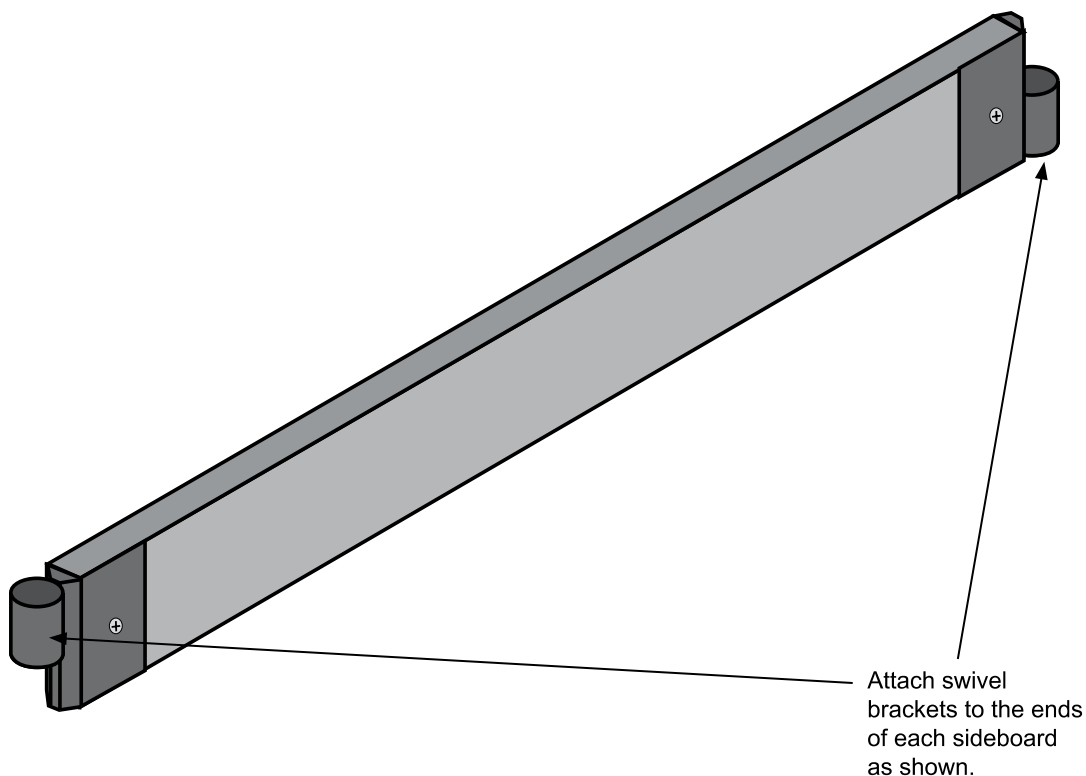
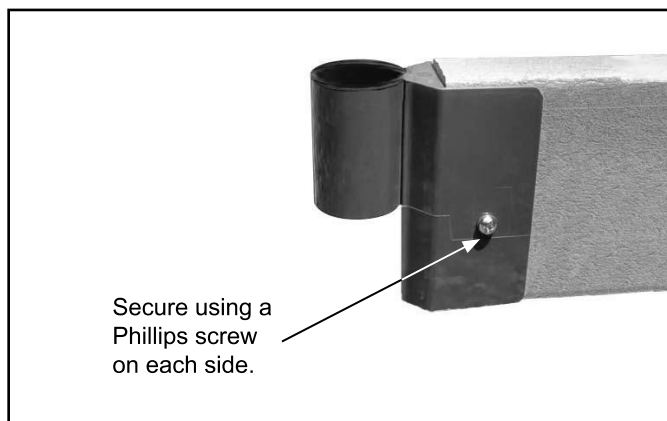
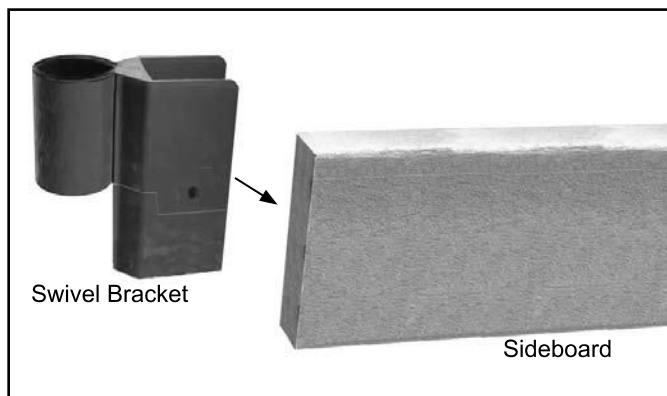
ASSEMBLING THE BED KIT COMPONENTS

After identifying the parts included with the shipment, assemble the bed kit using the steps below.

NOTE: The shapes of raised beds vary and depend on overall design. These instructions describe assembling bed kits as 4' x 8', 4' x 16', or 4' x 24' rectangles.

For custom shapes, use these instructions for basic assembly steps and details, and adapt them to your raised-bed design as needed.

1. Determine and design the shape and height of your raised bed based on the kit or kits that were purchased. Measure and level the site and verify that ample space is present for your design.
2. Measure and cut all sideboards to the desired lengths based on your design.
3. Slide a swivel bracket onto the end of one sideboard. Secure bracket to sideboard using a supplied screw installed on each side. Take another bracket, flip as shown, and attach it to the other end of the sideboard.
4. Repeat the above steps for each sideboard.



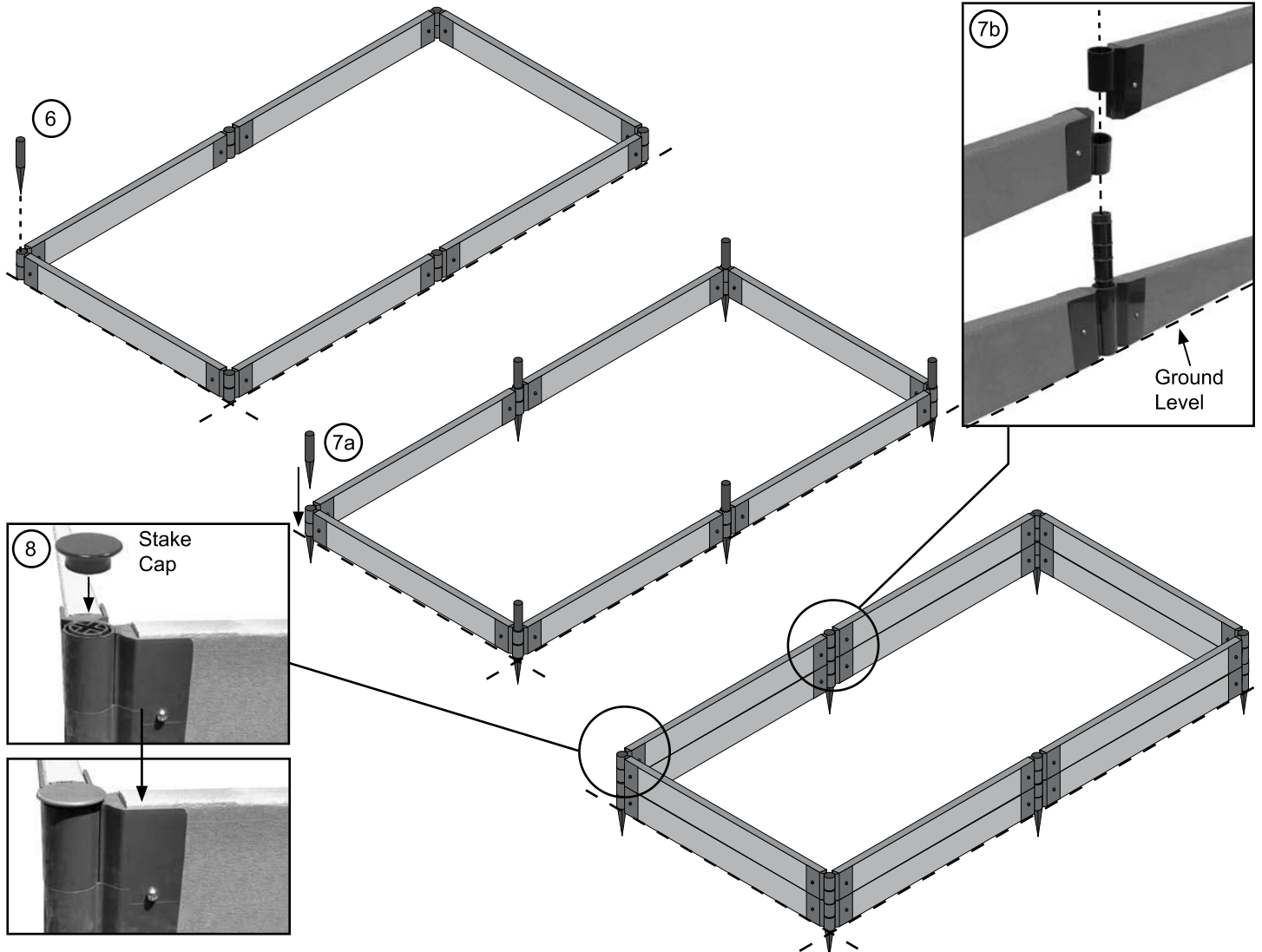
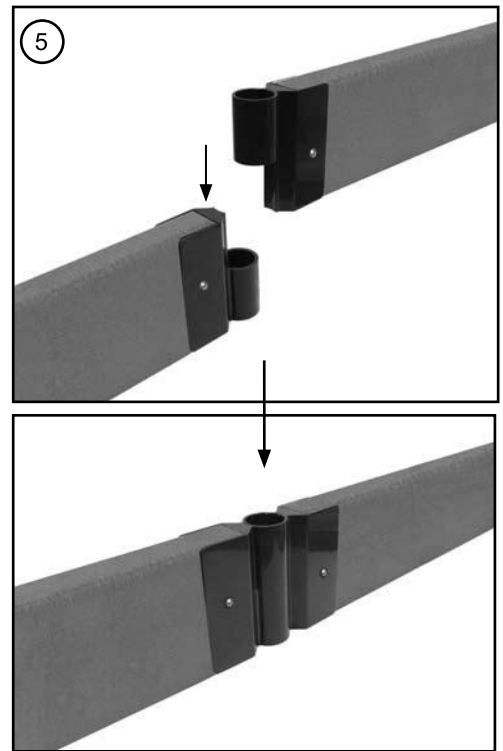
CLEARSPAN™ RAISED BED KITS

ASSEMBLING THE BED KIT COMPONENTS (CONTINUED)

5. Layout and adjust your design. Align sideboards so that the swivel brackets interlock as shown to the right. If applicable, square the bed kit. **Consult the Squaring the Bed instructions on the following page.**
6. Once desired layout is achieved, sideboards are level, **and raised bed is square**, slide stakes through the holes in the interlocked swivel brackets and drive into ground until tops are level with the sideboards.
7. If the raised bed is a multi-tiered design, slide a second stake into the top of each installed stake (7a). Slide a second tier of sideboards over the stakes (7b). Repeat for additional tiers.

NOTE: To interlock the final two sideboards of an additional tier, remove the stake, align the sideboards and brackets, and reinsert the stake.

8. Once bed kit is assembled, secure each joint by inserting the supplied stake caps into the tops of the stakes until they snap in place.



SQUARE THE BED

Squaring the raised bed applies to designs that have four (4) right angles (90°).

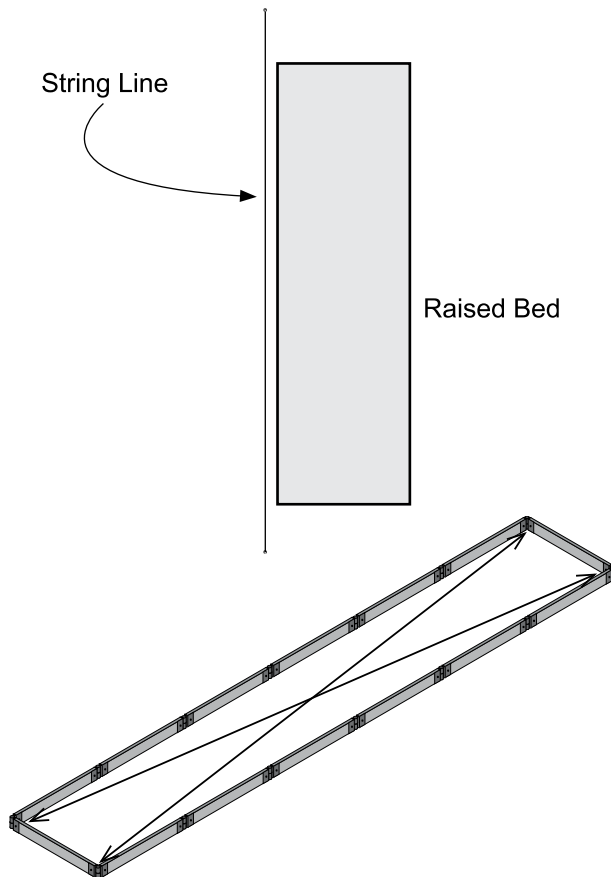
For designs consisting of variable angles, use an angle-measuring instrument (if possible) to verify that angles opposite each other are the same.

1. For raised beds up to and including 16' in length, simply use a carpenter's square to verify that each corner is 90°. For beds longer than 16', consult Step 2.
2. With the bed in the desired position, measure diagonally from corner-to-corner and adjust bed until both distances are equal.

NOTE: For longer beds, use a string line staked at both ends along the side of the raised bed to keep the sides aligned and parallel.



Space reserved for customer notes.



3. Once the distances are equal, continue with the bed kit assembly.