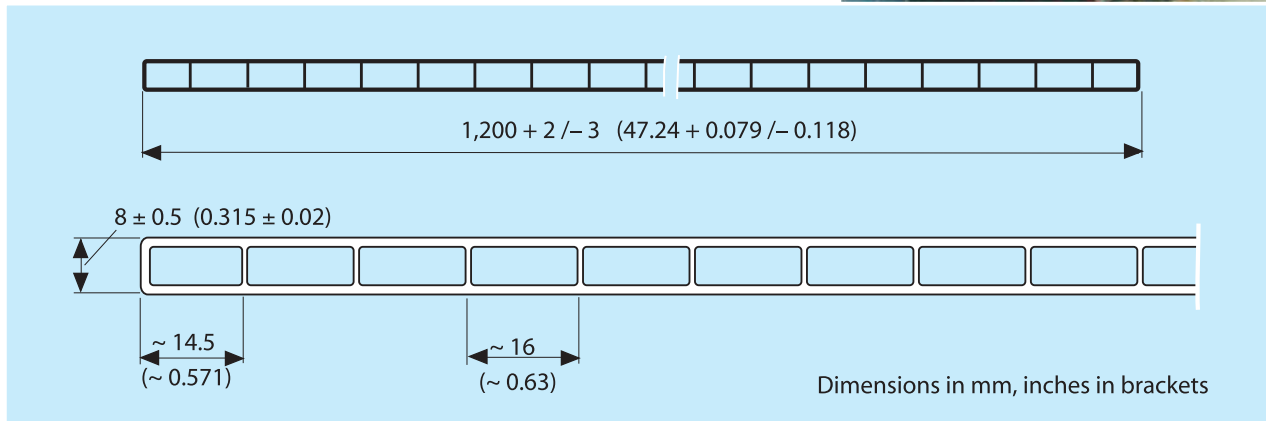


Product Description

DEC® IMPACT SDP® 8 NO DRIP® Double-Skinned Acrylic Sheet



Product and benefits

DEC IMPACT SDP 8 double-skinned sheet is a light-transmitting, heat-insulating and highly weather-resistant acrylic sheet made from **impact-modified** acrylic (polymethyl methacrylate, or PMMA) polymer.

It is used mainly as glazing for curved roof and vertical applications in commercial, residential, industrial, institutional and similar buildings, i.e. commercial and hobby greenhouses, solariums, clerestory glazing, patio and carport roof areas, and pool enclosures. Wherever a high load-carrying, long-lasting glazing material with exceptional impact resistance, hail resistance and toughness combined with easy installation is required, this is the product for the application.

The DEC® IMPACT SDP® 8 sheet offers the user major advantages:

- **greater impact strength** during transport, handling and installation,
- **greater hail resistance** with a warranted long-term energy value of 1 joule,

- **high light transmission** in the PAR and visible spectral energy wavelengths,
- **isolative values** better than double-glazed polyethylene.

Details of the limited 10-year warranty are available upon request.

NO DRIP® **coating

When installed with the water-dispersing **NO DRIP® coating** facing upwards / outwards, rain has a natural cleaning effect, washing dust and leaves off the surface. The sheeting action of the coating reduces streaking and dry spots on the surface, also dries quicker after a rain.

When installed facing downwards/inwards, any condensation flows off as a continuous film, preventing uncontrolled dripping. By reducing water or condensation droplets, more light enters into the glazed area.

The NO DRIP® coating is covered by a thin protective layer applied during the manufacturing process. This layer is washed off by rainwater or condensation, thus activating the NO DRIP® coating. The protective layer can also be removed with water and a sponge or by using a hose.

*) Europ. patent 733 754

**) Europ. patent 149 182

Technical Data (Typical values)

Available lengths	2000 to 7000 mm (6.5' to 23')			
Light transmittance τ_{D65} (UV-absorbing)	Total energy transmission g	Clear 0119 NO DRIP®: Clear 0119 C: White 0151: White 0631: Brown 4348:	~ 84 % ~ 83 % ~ 37 % ~ 70 % ~ 53 %	~ 82 % ~ 81 % ~ 45 % ~ 72 % ~ 65 %
U-value	3.4 W/m²K (0.67 BTU/hr•ft²•°F)			
Coefficient of heat expansion α	0.09 mm/m °C (0.00005 in/in/°F)			
Possible expansion due to heat and moisture	about 6 mm/m (~ 3/32 in/ft)			
Max. permanent service temperature without load	70 °C (160 °F)			
Weighted sound reduction index (estimated)	23 dB			
Fire rating	ASTM D-635 CAN/ULC S102.2 DIN 4102	C2 or CC2 Burning Rate < 150 Flame Spread Classification B2, normally flammable		
Minimum cold-bending radius	1200 mm			

Texture "C"

The "C" textured side of certain grades of multi-skinned sheets is always installed facing downwards / inwards.

Support spacing

DEC® IMPACT SDP® 8 sheets 1200 mm wide are installed as **flat glazing** supported or clamped on all sides in suitable glazing bars. Refer to chart for **additional cross members' spacing** for different loads. Maximum allowable spacing is in the direction parallel to the sheet's ribs.

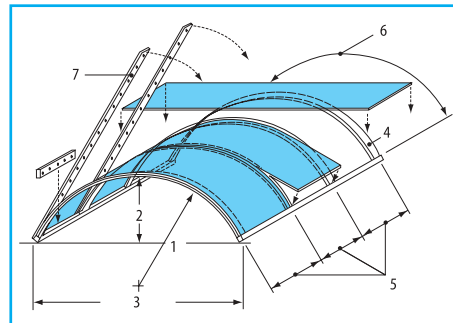
Refer to local building codes to determine the applicability of these values to specific applications. Building codes will indicate the design loads to be used to determine the maximum span lengths or support spacing.

Cold-bending

The DEC® IMPACT SDP® 8 sheet can be cold-formed mounted as **barrel-vault** to a **minimum radius of 1200 mm (= 150 x thickness)**.

Ensure that the curvature is uniform (consistent) over the full length of the sheet.

		Support spacing	
		DEC IMPACT SDP 8®	
		Width 1200 mm (47.24")	
Load		[m] Support spacing (inches)	
[N/m²] (lb/ft²)		[m]	(inches)
750	(15.7)	2.7	(106.3)
1000	(20.9)	2.2	(86.6)
1250	(26.1)	1.9	(74.8)
1500	(31.3)	1.7	(66.9)
1750	(35.5)	1.6	(63.0)
2000	(41.8)	1.5	(59.1)



Fire Precautions: DEC SDP sheets are produced from molding compounds which are combustible thermoplastics. Precautions used to protect combustibles from flames and high heat sources should also be observed with these materials. SDP® sheets usually burn rapidly to completion if not extinguished. The products of combustion, if sufficient air is present are carbon dioxide and water. However, in many fires, sufficient air will not be available and toxic carbon monoxide will be formed, as it will from other combustible materials. We urge good judgment in the end use of these versatile materials and recommend that building codes be followed carefully to assure they have been used properly. Access panels may be required for evacuation and venting of rooms glazed with SDP® sheets. SDP® sheets burn more rapidly than their solid counterparts. Non-combustible end caps must be used to prevent flame from contacting the open ends of the sheet.

- 1 = Radius
- 2 = Pitch
- 3 = Span
- 4 = Hoop
- 5 = Hoop spacing
- 6 = Arc length
- 7 = Clamping bar

This document describes the special features of the DEC® IMPACT SDP® 8 NO DRIP® double-skinned sheet. Other multi-skinned sheets are described in their respective product data sheets.

For additional information on multi-skinned sheets contact your SDP® sheet distributor or CYRO.

The availability of any particular product should be checked with your supplier.

IMPORTANT NOTICE: The information and statements herein are believed to be reliable but are not to be construed as a warranty or representation for which we assume legal responsibility. Users should undertake sufficient verification and testing to determine the suitability for their own particular purpose of any information or products referred to herein. **NO WARRANTY OF FITNESS FOR A PARTICULAR PURPOSE IS MADE.** Nothing herein is to be taken as permission, inducement or recommendation to practice any patented invention without a license.



Certified to DIN EN ISO 9001 (Quality)
and DIN EN ISO 14001 (Environment)



DEC is a registered trademark of Röhm GmbH & Co. KG, Darmstadt, Germany.

SDP, ALLTOP, NO DRIP are registered trademarks of CYRO Industries, Rockaway, NJ, USA.

Authorized distributor: